

**R&R Manufacturing, Inc.**

30340 Runway Blvd. Pratt, KS 67124  
620-672-7461 [www.rrmanufacturing.com](http://www.rrmanufacturing.com)

# Rotary Blenders

## DEPENDABILITY

R&R has been manufacturing Rotary Blenders for 40+ years.

## QUALITY

304 Stainless Steel fabrication and 10" forged steel Trunion wheels.

## CONVIENIENCE

Ability to blend a load while weighing the next.

## HEAVY DUTY CONSTRUCTION

For a longer lasting life.

## CHAIN DRIVE

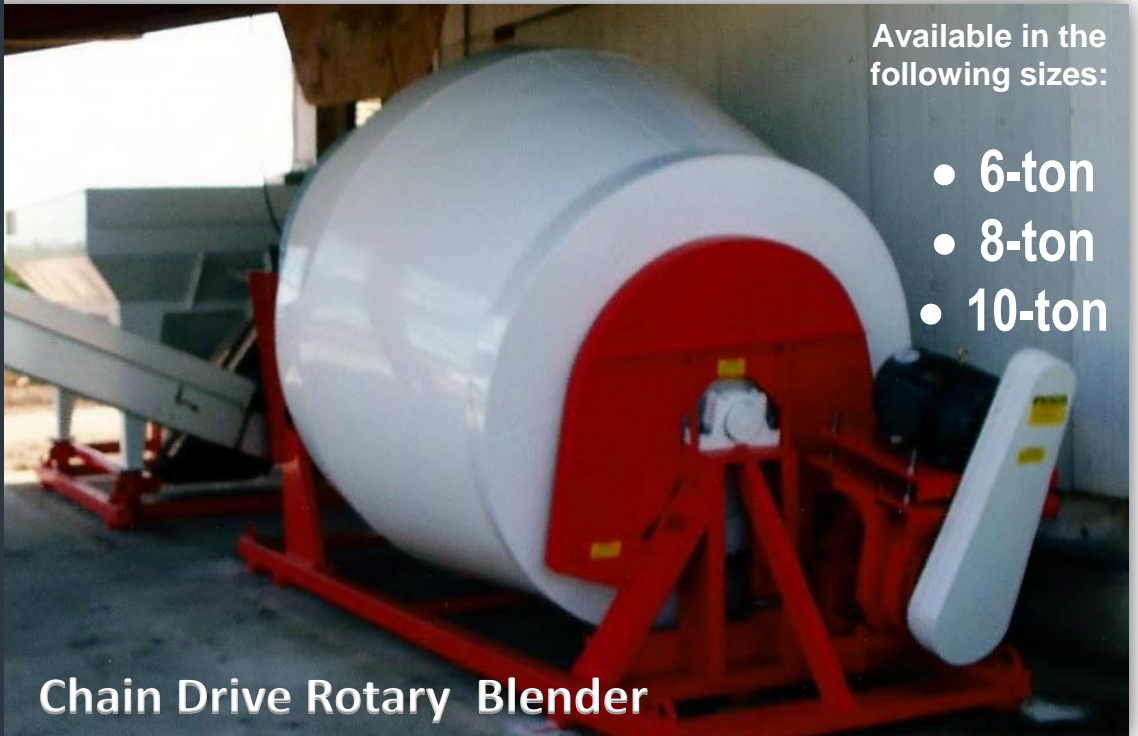
- \*Browning Reducer
- \*Heavy duty sprockets & chain
- \*Industrial Bearings
- \*304 Stainless Steel Flat Head

## TORQUE HUB DRIVE

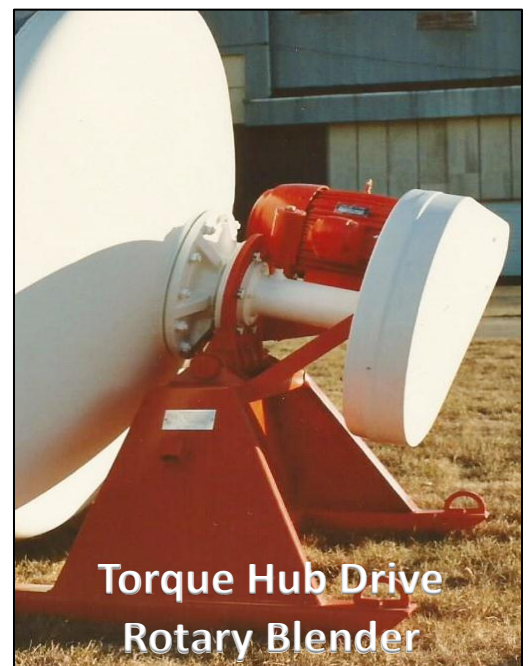
- \*Eliminates chain, sprocket, shafts, bearings and gear box
- \*Flanged & Dished head
- \*Minimal Maintenance
- \*Less down time due to less moving parts

Available in the following sizes:

- 6-ton
- 8-ton
- 10-ton



**Chain Drive Rotary Blender**



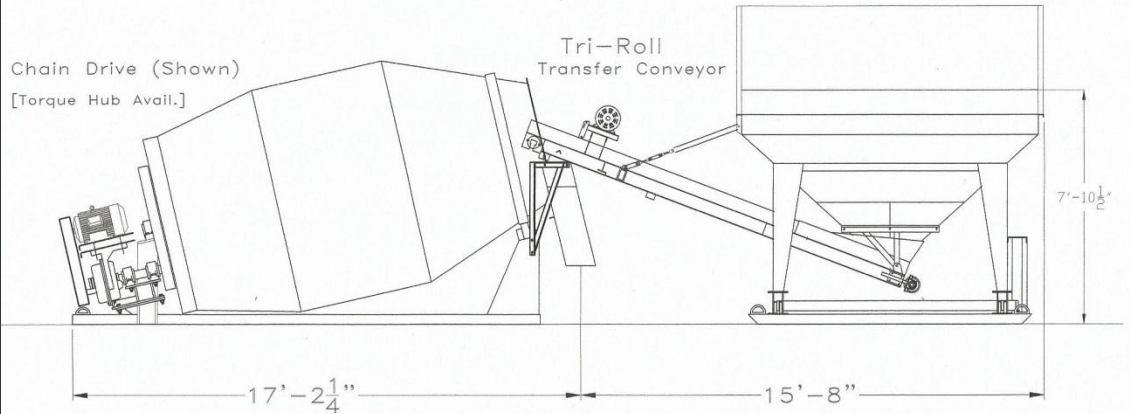
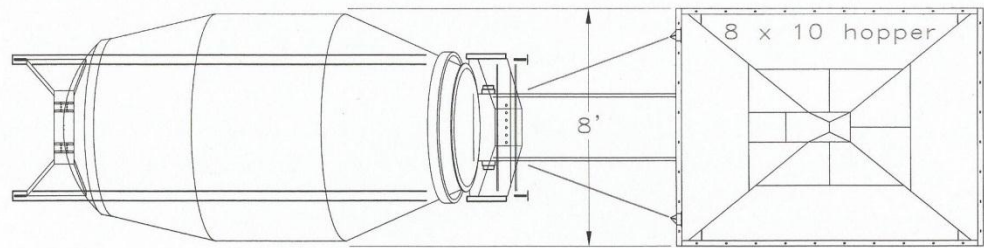
**Torque Hub Drive Rotary Blender**

**R&R**  
Manufacturing, Inc.

# R&R FERTILIZER WEIGH/BLEND SYSTEM

For more information on our complete weigh/blend system or other bulk fertilizer handling equipment, give us a call today!

*We reserve the right to change products and specifications at any time without notice. Images may or may not include optional equipment.*



## R&R Manufacturing, Inc.

30340 Runway Blvd. Pratt, KS 67124

620-672-7461

[www.rrmanufacturing.com](http://www.rrmanufacturing.com)

**R&R**  
Manufacturing, Inc.